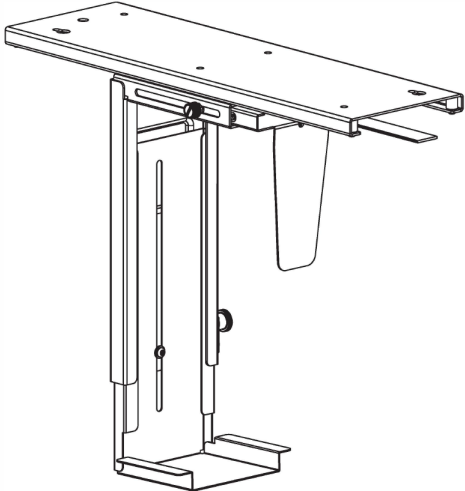


Under Desk Slider PC Mount

Instruction Manual



SKU: MOUNT-PC01D



Scan the QR code with your mobile device or follow the link for helpful videos and specifications related to this product.

<https://vivo-us.com/products/mount-pc01d>

GET IN TOUCH | Monday-Friday from 7:00am-7:00pm CST



help@vivo-us.com



www.vivo-us.com
Chat live with an agent!



309-278-5303

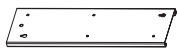
WARNING!

If you do not understand these directions, or if you have any doubts about the safety of the installation, please call a qualified technician. Check carefully to make sure there are no missing or defective parts. Improper installation may cause damage or serious injury. Do not use this product for any purpose that is not explicitly specified in this manual. Do not exceed weight capacity. We cannot be liable for damage or injury caused by improper mounting, incorrect assembly or inappropriate use.

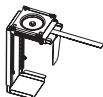
WARNING: CHOKING HAZARD

SMALL PARTS - NOT FOR CHILDREN UNDER 3 YEARS. ADULT SUPERVISION IS REQUIRED.

PACKAGE CONTENTS



A (x1)
Slider Track



B (x1)
CPU Holder



C (x4)
Spacer



D (x4)
Screw



E (x6)
Screw



F (x12)
Rubber Pad



G (x1)
Allen Wrench

NOTE: SOME HARDWARE INCLUDED MAY NOT BE USED

TOOLS NEEDED



Drill



Phillips
Screwdriver

DO NOT EXCEED WEIGHT CAPACITY.

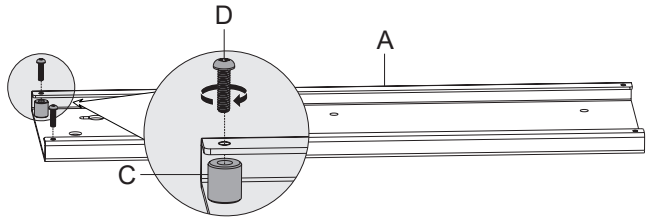
Failure to do so may result in serious injury.



ASSEMBLY STEPS

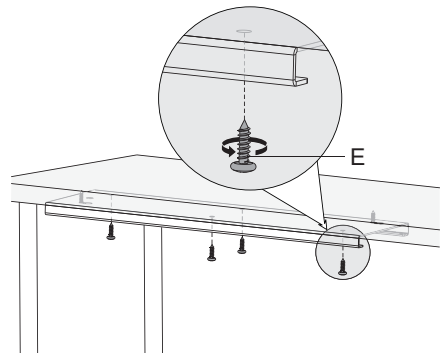
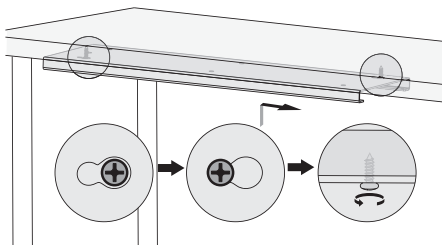
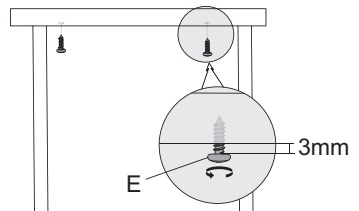
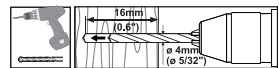
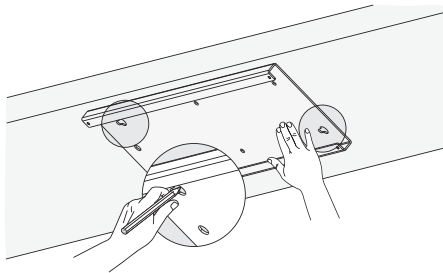
STEP 1

Insert screws (D) and spacers (C) into one end of slider track (A).



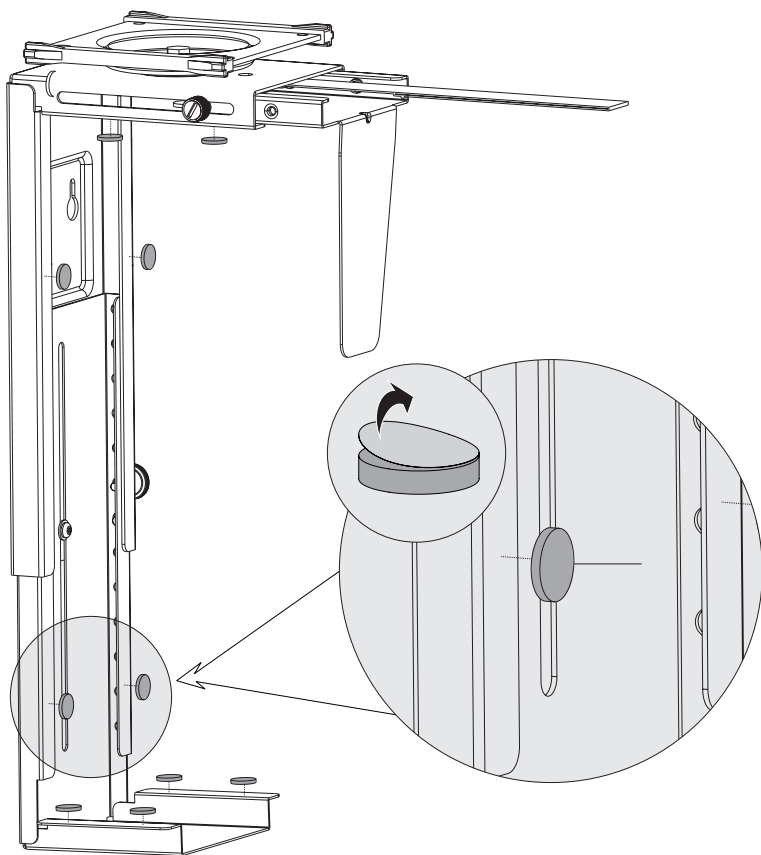
STEP 2

Position slider track (A) on underside of desktop and mark drilling locations with a pencil. Insert screws (E) in left-front and right-rear holes, leaving 3mm of thread exposed. Place keyholes in slider track (A) over screws (E) and slide into position, then tighten screws (E).



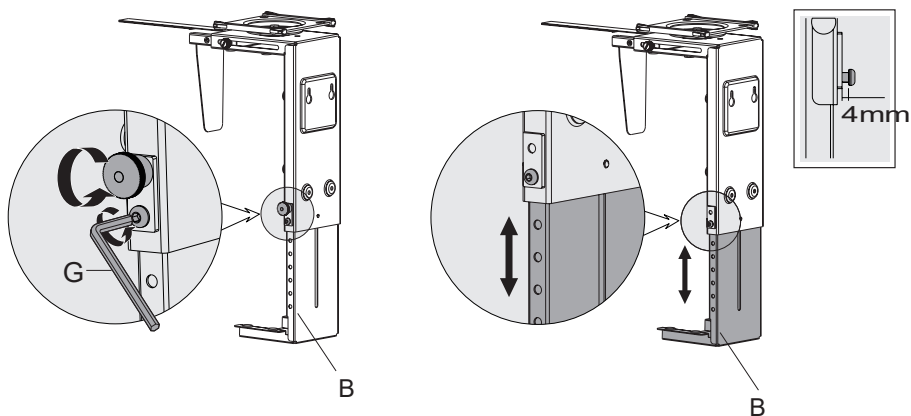
STEP 3

Apply adhesive soft pads **(F)** on the CPU holder **(B)**.

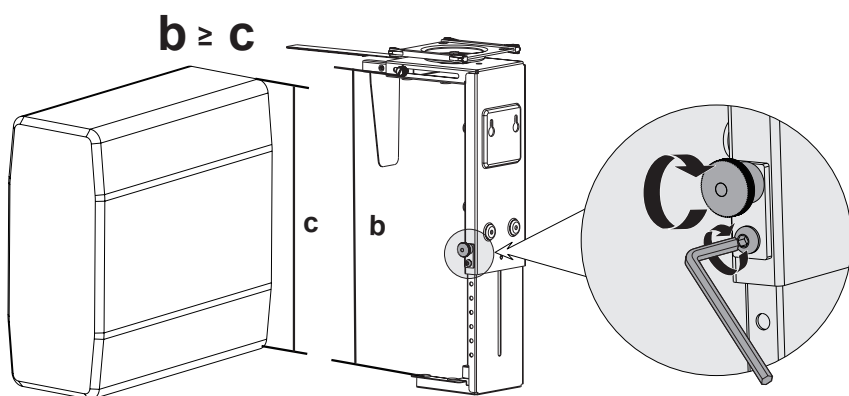


STEP 4

Remove knob from CPU holder (**B**), and loosen screw with Allen wrench (**G**).

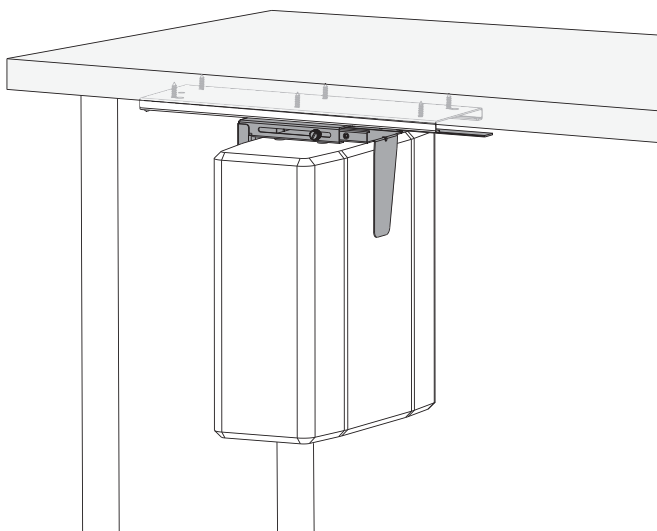
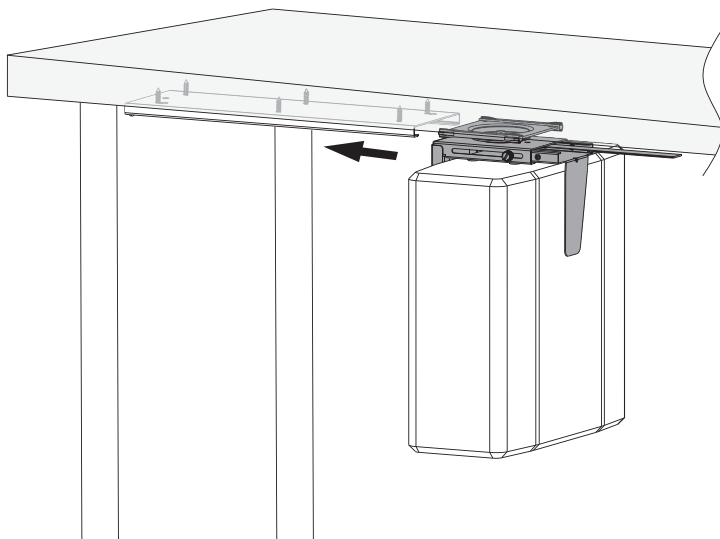


Adjust height and width of CPU holder (**B**) to fit your computer tower, then install knob and tighten previously loosened screw.



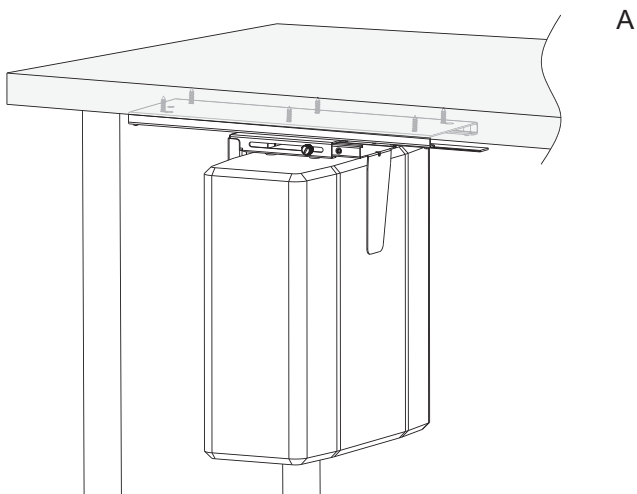
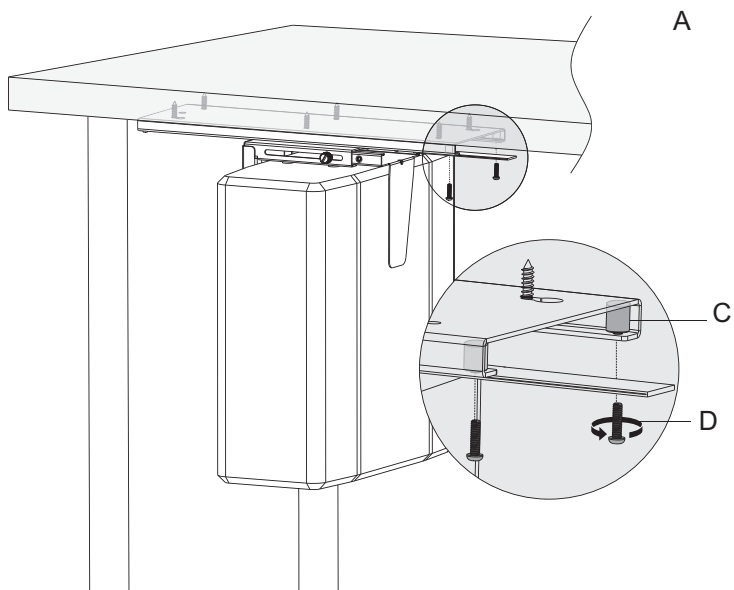
STEP 5

Slide CPU holder **(B)** with computer into slide track **(A)**.



STEP 6

Insert screws (D) and spacers (C) into open end of slider track (A).





Open **Monday - Friday 7:00am - 7:00pm** CST,

our dedicated support team can offer immediate assistance with rapid response times. If any parts are received damaged or defective, please contact us. We are happy to replace parts to ensure you have a fully functioning product.


 help@vivo-us.com

AVG. RESPONSE TIME (*within office hrs*): **1HR 8M**

- 23% within < 15m
- 38% within < 30m
- 61% within < 1hr
- 83% within < 2hr
- 92% within < 3hr

 www.vivo-us.com
Chat live with an agent!

AVG. RESOLUTION TIME (*within office hrs*): **< 15 M**

 309-278-5303

AVG. RESOLUTION TIME (*within office hrs*): **5M 4S**